

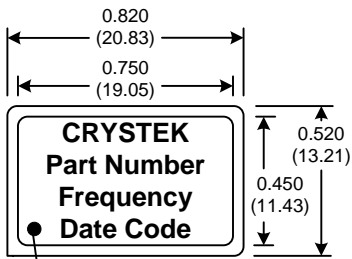
CCP-033 Model 14 Pin DIP, 3.3V, PECL

Frequency Range:	30MHz to 80MHz
Frequency Stability:	±10ppm to ±100ppm
Temperature Range:	See Table 1
Storage:	-55°C to 120°C
Input Voltage:	3.3V ± 0.3V
Input Current:	50mA Max
Output:	PECL
Symmetry:	40/60% Max @ 50% Vdd
(Option Y)	45/55% Max
Rise/Fall Time:	1ns Typ, 2ns Max (20% - 80%)
Output Voltage:	Voh = 2.20V Min, 2.30V Max Vol = 1.45V Min, 1.55V Max
Load:	50 Ohms to Vcc-2V
Configuration:	
(Option C)	Complementary Output
(Option S)	Single Output
Aging:	<3ppm first year

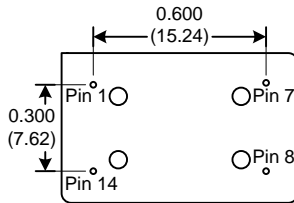


Designed to meet today's requirements for economical PECL applications.

****Custom Designs Available**

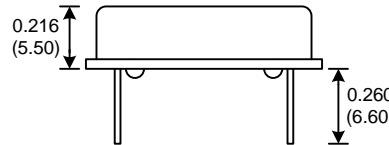


Denotes pin 1

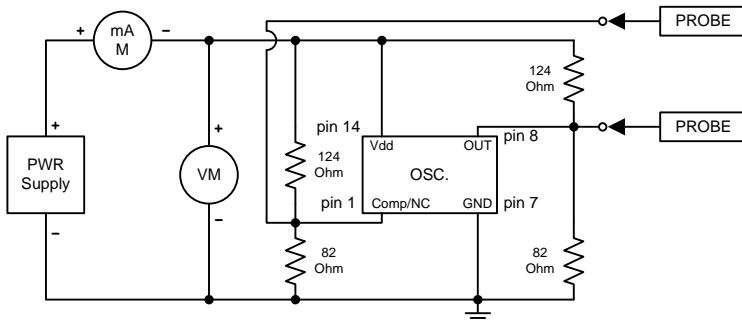


Dimensions inches (mm)

All dimensions are Max unless otherwise specified.



PIN	Function
1	Comp or NC
7	GND
8	OUT
14	Vcc



	Operating Temperature	Freq. Stability (± ppm)				
		10	20	25	50	100
A	0°C to 50°C	10	20	25	50	100
B	0°C to 70°C	10	20	25	50	100
C	-10°C to 60°C		20	25	50	100
D	-10°C to 70°C		20	25	50	100
E	-20°C to 70°C			25	50	100
F	-30°C to 75°C			25	50	100
G	-40°C to 85°C			25	50	100

Table 1

Crystek Part Number Guide					
#1	#2	#3	#4	#5	#6
CCP-033	C	A	Y	-25-	80.000
<p>#1 Crystek 14 Pin Dip PECL Oscillator #2 Output Option: (C = Comp) (S = Single) #3 Operating Temp.: (see table 1) #4 Symmetry: (Blank = 40/60, Y=45/55) #5 Stability PPM: (see table 1, Blank = 100ppm) #6 Frequency in MHz: 3 or 6 decimal places</p>					
<p>Example: CCP-033CAY-25-80.000 = 3.3V, Comp., 0/50°C, 45/55, 25ppm, 80.000MHz CCP-033SA-50.000 = 3.3V, Single, 0/50°C, 40/60, 50.000MHz</p>					

Specifications subject to change without notice.

TD-021019 Rev. G